

STS-IPT160/180 1-Channel Video Servers

- **MPEG4-ASP compression**
- **CIF up to Full D1 resolution at 25 FPS frame rate**
- **LAN and WAN ports**
- **Built-in hardware motion detection (up to 3 detection areas)**
- **PTZ control: RS-232/422 /485**
- **STS-IPT180: two-way audio transmission**
- **QoS supported**
- **Bundled NVR software**



Due to use of the original processor and MPEG4-ASP compression, as well as network-based bandwidth control, the STS-IPT160/180 IP video servers provide real-time video streaming at the frame rate of up to 25 FPS at 720x576 resolution with network bandwidth of about 1 Mbps. Built-in hardware motion detection, and alarm input and output allow to customize the STS-IPT160/180's response to alarm events. The STS-IPT180 supports two-way audio transmission.

LAN and WAN connections

The STS-IPT160/180 IP video servers are equipped with two Ethernet 10/100Base-T ports, which allow connection to two networks: LAN and WAN. Via LAN channels, the IP videosever can transmit video to the operator's PC within the same network segment, while real-time video transmission via WAN can be used for remote video viewing. The WAN port supports PPPoE, which enables the IP video server to be connected directly to ADSL modem.

Effective bandwidth control

The STS-IPT160/180 provide video streaming at the bit rate from 28 Kbps to 3 Mbps, depending on image quality settings. At the same time, IP video server can automatically adjust video stream according to network bandwidth based on the specified priority (picture quality, frame rate, traffic). Smartec IP video servers support QoS (Quality of Service) feature, which provides bandwidth reservation for streaming video from the IP video server.

PTZ Control

The STS-IPT160/180 IP video servers are equipped with RS-232/422/485 ports (selected by DIP switch), and support most of the popular PTZ protocols: Pelco-D, Pelco-P, Lilin, Dynacolor, TOA, Samsung, Kampro, EyeView, VideoTrec, etc. The protocols are software-selectable (NVR).

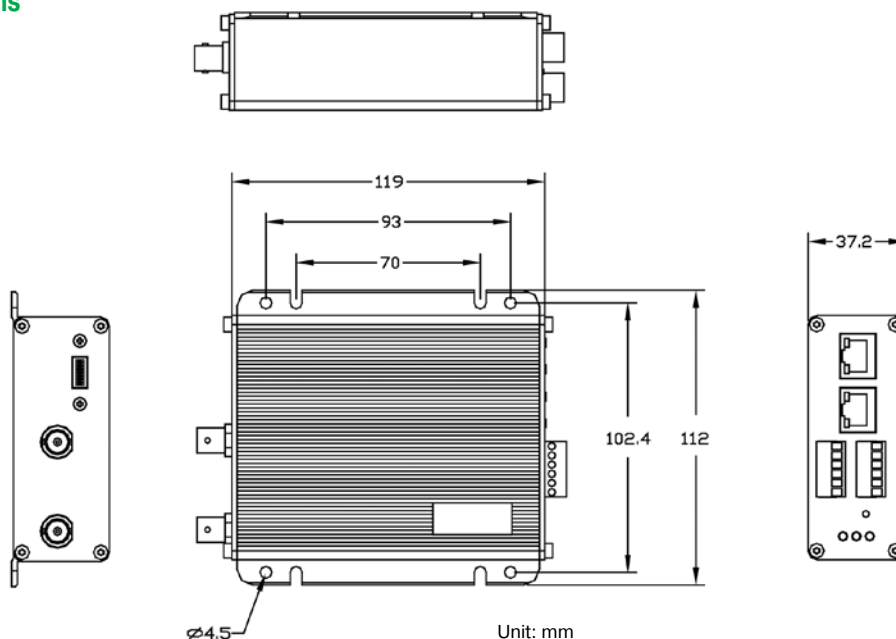
Remote control software

Each Smartec IP camera or IP video server is supplied with free multi-language NVR software. The software offers a full range of features required for effective video surveillance and supports up to 32 Smartec IP devices, with expansion to up to 64 by acquiring additional licenses.

To implement video surveillance at large and geographically distributed facilities, using Smartec or third party analog and IP cameras, we recommend using NetStation software. The software offers multiple features for viewing and recording video, allows to use eMap graphic plans, and can perform smart motion search in archived video.

All IP video server settings become available after authorization when connected directly via Internet Explorer.

Dimensions



Specifications

Model:	STS-IPT160	STS-IPT180
Channels:	1	
Compression:	MPEG4-ASP	
Video Resolution:	720x576, 352x288, 176x144	
Frame rate:	Up to 25 FPS at 720x576	
Video Input/Output :	CVBS, 1 Vp-p, 75 ohms, BNC	
Bit Rate:	28 Kbps - 3 Mbps per channel	
Network Connection:	LAN: Ethernet 10/100Base-T; WAN: Ethernet 10/100Base-T	
Protocol:	TCP, UDP, IP, HTTP, DHCP, PPPoE, RTP, RTSP; QoS supported	
Security:	Password protection; settings changed only by the Administrator	
Serial Port:	RS-485 – full duplex, terminal block RS-422 – full duplex, terminal block RS-232 – full duplex, terminal block	
Audio:	None	8 KHz, mono, PCM
Audio Input/Output:	None	Input: unbalanced, line input, 1.4 Vp-p, 3.5 mm Phone Jack Output: unbalanced, line output, 1.4 Vp-p, 3.5 mm Phone Jack
Alarm Input/Output:	TTL, 2 IN, 2 OUT, terminal block	
Web Browser:	Internet Explorer 6.0 or higher	
Operating Temperature:	+5°... +50°C	
Input Voltage:	12 VDC +/- 10%, 220 VAC/12 VDC adapter supplied	
Power Consumption:	7.5 W	
Dimensions:	119 mm (L) x 112 mm (W) x 37.2 mm (H)	
Weight:	350 g	

Accessories

NVR Software	Network recording software; 32 video/audio channels. Expansion to 64 channels per server. Client-Server architecture. Multi-language. Supplied with Smartec IP cameras and IP videosevers.
NetStation	16-channel IP video recording/monitoring software for Smartec, Axis, Arecont Vision, JVC and other IP devices; expandable to 64 video/audio channels per server. Multiserver and hybrid configurations supported. Interactive graphic maps. Client software for PC, Palm PC, smart phone. Multilingual.