

STS-IPD160

1-Channel Video Decoder

- **MPEG4-ASP or SP decompression**
- **CIF up to Full D1 resolution at 25 FPS video decoding rate**
- **Two-way audio**
- **RS-485/422 /232 ports to connect PTZ controllers**
- **Bundled NVR software**



The STS-IPD160 decoder provides decompression and digital-to-analog conversion of MPEG4-ASP (SP) signal received from Smartec IP camera or IP video server, and transmits the signal to an analog video device: monitor, video recorder or video matrix system. The STS-IPD160 combined with IP video server, can be used for long distance LAN/WAN video transmission.

Video decompression and digital-to-analog conversion are implemented by the original processor, which, combined with network-based bandwidth control, allows to provide real-time video stream conversion at 720x576 resolution at 25 FPS. Two alarm inputs and outputs allow to customize the STS-IPD160's response to alarm events.

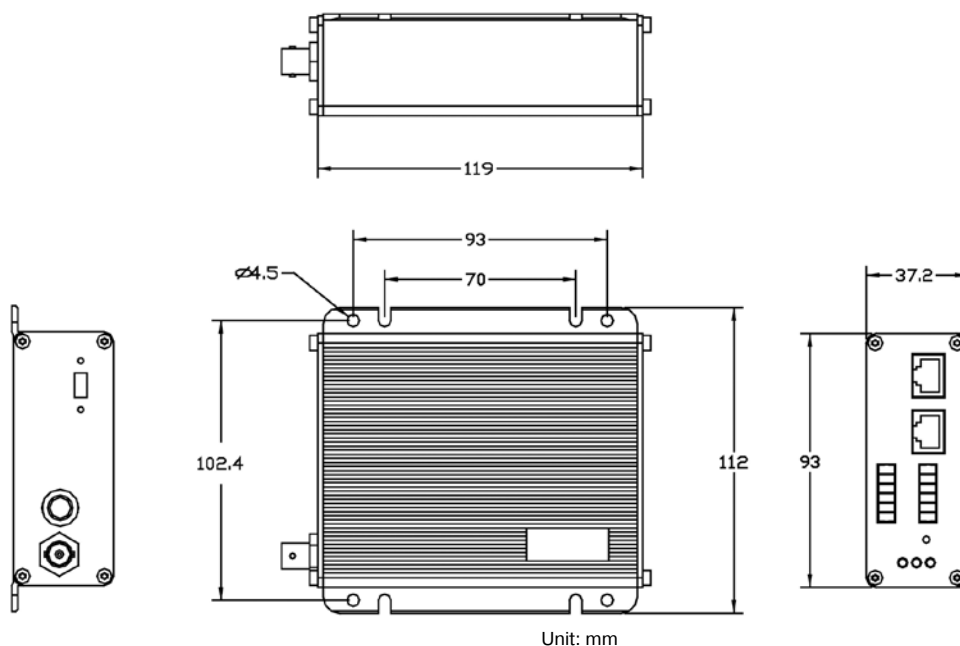
PTZ controller connection

For PTZ camera control, you can connect PTZ controller to RS-485/422/232 port of the STS-IPD160.

Two-way audio

The STS-IPD160 features 2-way audio channel, which allows communication with the remote IP camera. All you need is an external microphone and speaker. All video decoder settings become available after authorization when connected directly via Internet Explorer.

Dimensions



Specifications

Model:	STS-IPD160
Channels:	1
Audio:	Input: unbalanced, line input, 1.4 Vp-p, 3.5 mm Phone Jack Output: unbalanced, line output, 1.4 Vp-p, 3.5 mm Phone Jack
Decompression:	MPEG4-ASP (SP)
Video Resolution:	720x576, 352x288, 176x144
Frame rate:a	Up to 25 FPS at 720x576
Video Input :	CVBS, 1 Vp-p, 75 ohms, BNC
Network Connection:	LAN: Ethernet 10/100Base-T; WAN: Ethernet 10/100Base-T
Protocol:	TCP, UDP, IP, HTTP, DHCP, PPPoE, RTP, RTSP, DNS, DDNS, ICMP, ARP
Security:	Password protection; settings changed only by the Administrator
Serial Port:	RS-485 – full duplex, terminal block RS-422 – full duplex, terminal block RS-232 – full duplex, terminal block
Alarm Input/Output:	TTL, 2 IN, 2 OUT, terminal block
Web Browser:	Internet Explorer 6.0 or higher
Operating Temperature:	+5°... +50°C
Input Voltage:	12 VDC +/-10%, 220 VAC/12 VDC adapter supplied
Power Consumption:	3.8 W
Dimensions:	119 mm (L) x 112 mm (W) x 37.2 mm (H)
Weight:	350 g