



## **Smartec - STH-6230D-PSU2** **INFRARED ILLUMINATOR ENCLOSURE**



## **User Manual**

**CAUTION:**

TO REDUCE RISK OF FIRE OR ELECTRIC SHOCK, DO NOT REMOVE COVER.

NO USER SERVICEABLE PARTS INSIDE.

REFER SERVICING TO QUALIFIED SERVICE PERSONNEL.

THE INSTALLATION OF A SURGE PROTECTION DEVICE IS STRONGLY RECOMMENDED IN FREQUENT THUNDER AREA.

LED RADIATION- DO NOT VIEW DIRECTLY WITH OPTICAL INSTRUMENTS  
CLASS 1M LED PRODUCT

**UNPACKING:**

Unpack carefully. Electronic components can be damaged if improperly handled or dropped. If an item appears having been damaged in shipment, place it properly in its carton and notify the shipper.

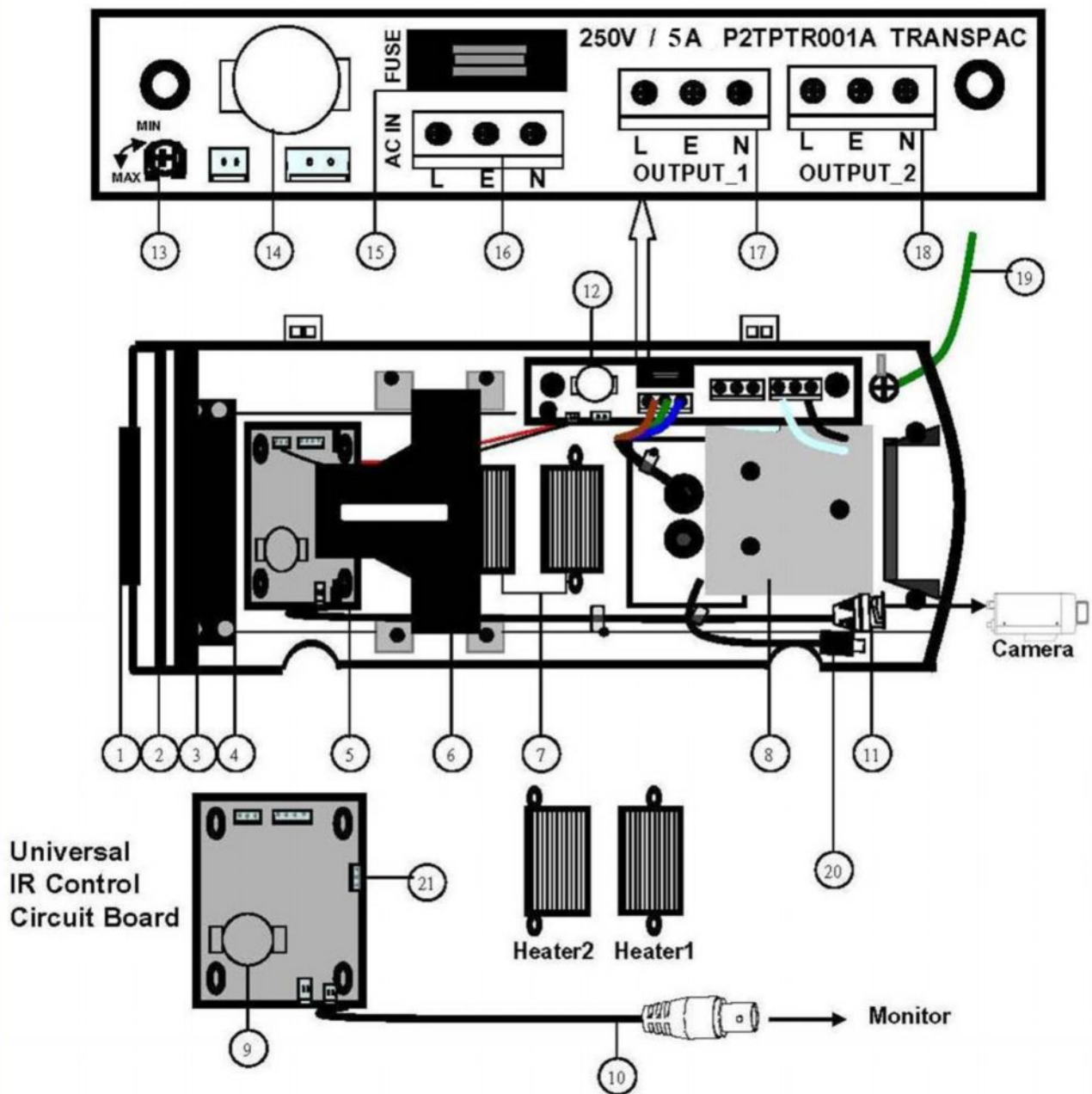
**IMPORTANT NOTE:**

**1.Read and follow Instructions:** All operating and user instructions should be read and followed before the unit is to be operated.

**2.Electrical Connections:** Only a qualified electrician allow to make electrical connections.

<b>Model Number</b>	<b>STH-6230D-PSU2</b>
LED Quantity	11 IR LEDs
IR Light Distance Approach To	120M
IR wave length	850nm
Infrared Bean Angle	25° and 45 °
IR Light on/off	Auto Light Sensor Control
IR power consumption	16 Watts
Power Input	AC90~240V (+/-10%)
Rating Current of PSU2	5A
Heater Control	0°C (ON) / 10°C (OFF)
Defogging device	18°C (ON) / 28°C (OFF)
Environmental Operation Temp.	-40°C ~ +50°C
Protection Level	IP66
Temper Glass thickness	4mm
Mounting Bracket	Fully-cable Management
Construction	Die-Cast Aluminum Alloy
Coating	Ivory Powder Stove
Dimension	425(L) x 160(W) x 165(H) mm
Camera Space	200(L) x 110(W) x 115(H) mm
Net Weight	5230gm

- **IR Light Distance** are entirely dependant upon environmental site conditions and the location at which the unit is situated. The type of camera being used is also very important.



1. Lens Cap with defogging device
2. Temper Glass
3. IR LED : 11pcs super high power IR LED with refractor .
4. IR Board and IR Board Bracket
5. **Universal IR Control Circuit Board:** To control color/mono switching and IR on/off synchronization

**6. Camera Bracket**

**7. Heater 1 & heater 2 :** 230Vac

**9. Thermostat Switch :** Turn on at 18 °C and turn off at 28 °C for defogging device

**8. Power Supply unit :** .AC90-240V power input, DC 12V output.

**10. Video Out BNC Female Connector :** Connect to monitor

**11. Video Input BNC Male Connector :** Connect to camera

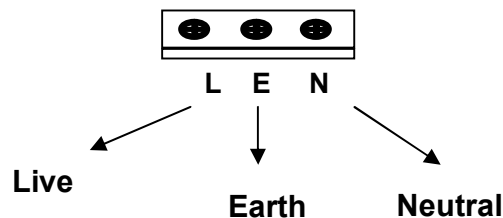
**12. Terminal Board**

**13. VR :** Adjust VR to set Infrared LED activation level .

**14. Thermostat Switch :** Turn on at 0 °C and turn off at 10 °C for dual heaters.

**15. Fuse Holder :** With 250V/3.15A fuse.

**16. AC IN Terminal block :** AC 90~240V external power input .



**17. OUTPUT\_1 Spare Terminal Block :** For AC 90~240V Camera use .

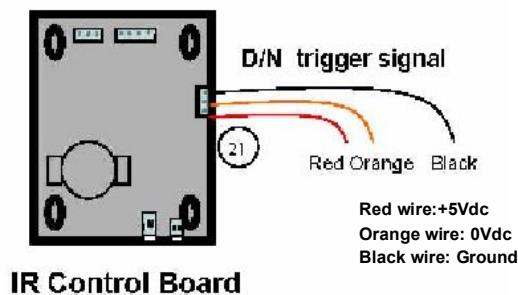
**19. Ground Wire:** To top cover.

**20. DC12V power- in Jack:** For DC12V Camera use.

**21. D/N trigger signal:** To control the color/mono switching of D/N camera.

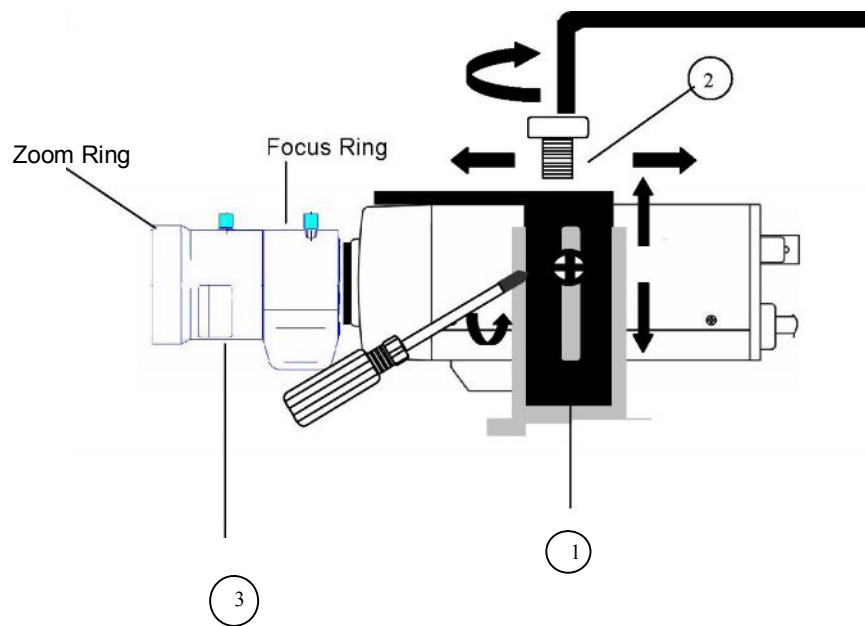
**\*IMPORTANT NOTE\***

Please refer to the wiring diagram as below for install the D/N camera.

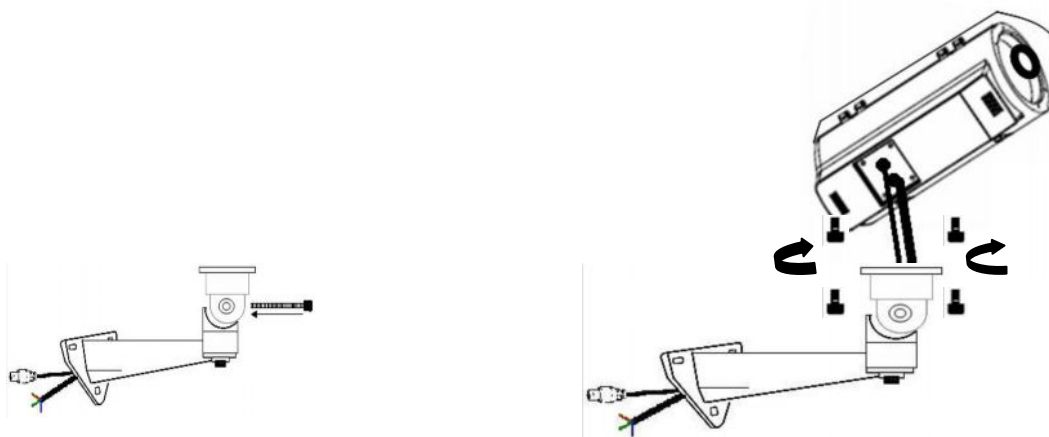


**A:** If IR trigger signal is on the high position (+5Vdc), connect the Red and Black wire to D/N trigger line +/- of camera

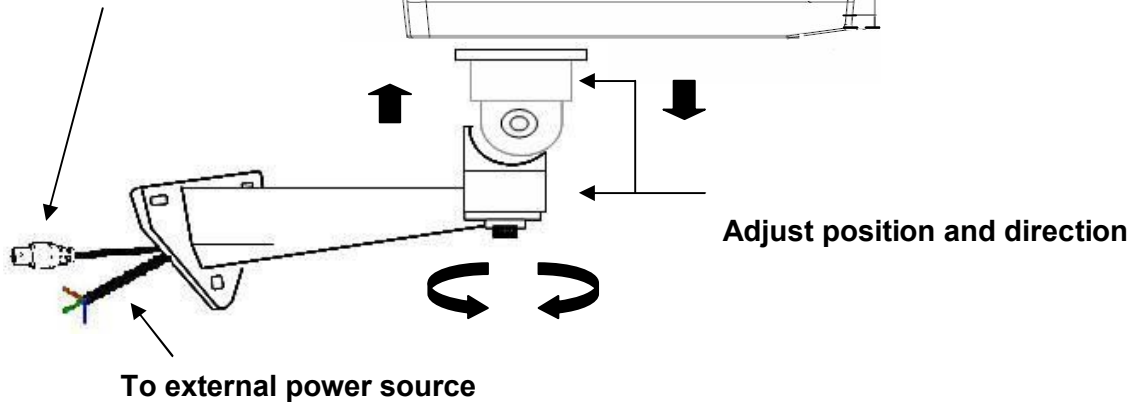
**B:** If IR trigger signal is on the Low position (+0Vdc), connect the Orange and Black wire to D/N trigger line +/- of camera.



1. Loosen two screws on both sides of the camera bracket first.
2. Use provided screw to fix the camera on the camera bracket.
3. Adjust zoom, focus and iris of the lens on the camera.



**Video Out BNC Female Connector**



**Dimensions of Bracket Base**

