



Smartec – STH 5230

Outdoor camera housing

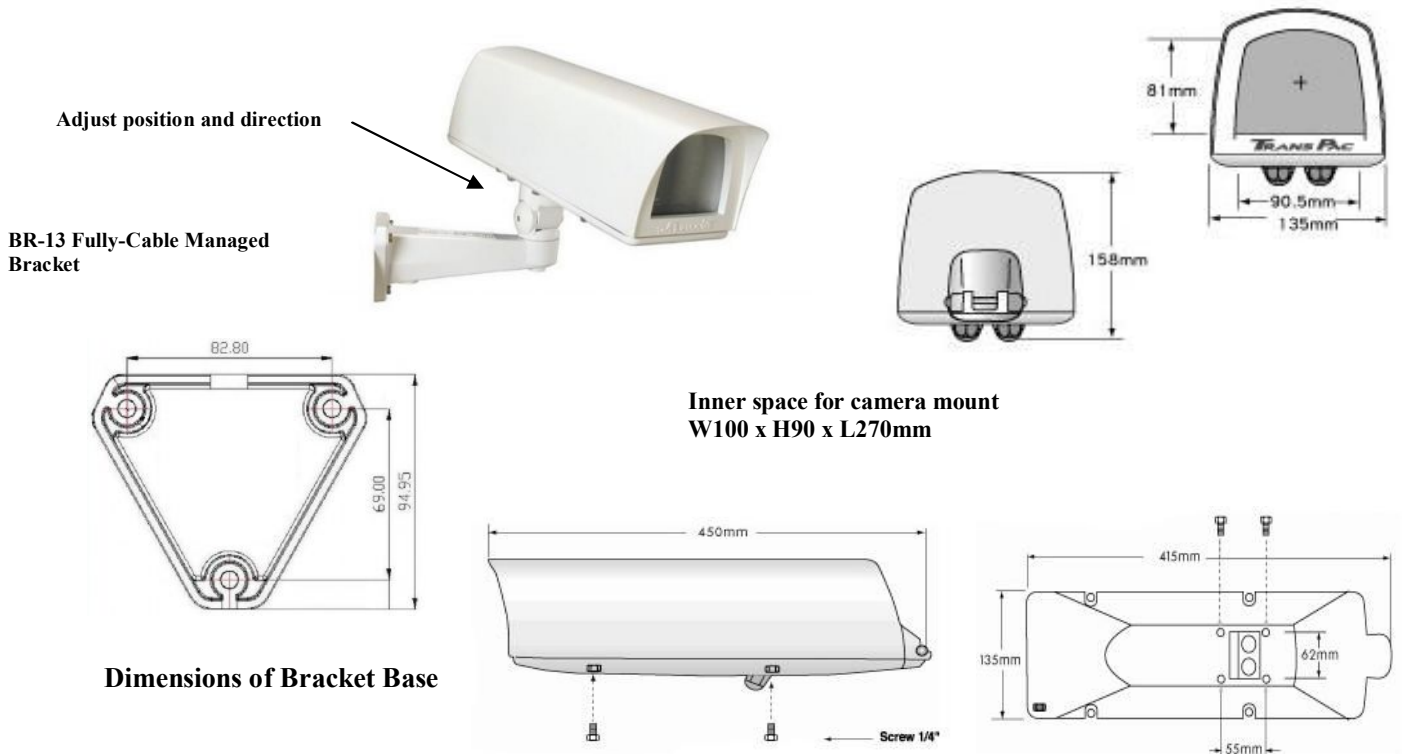


User Manual

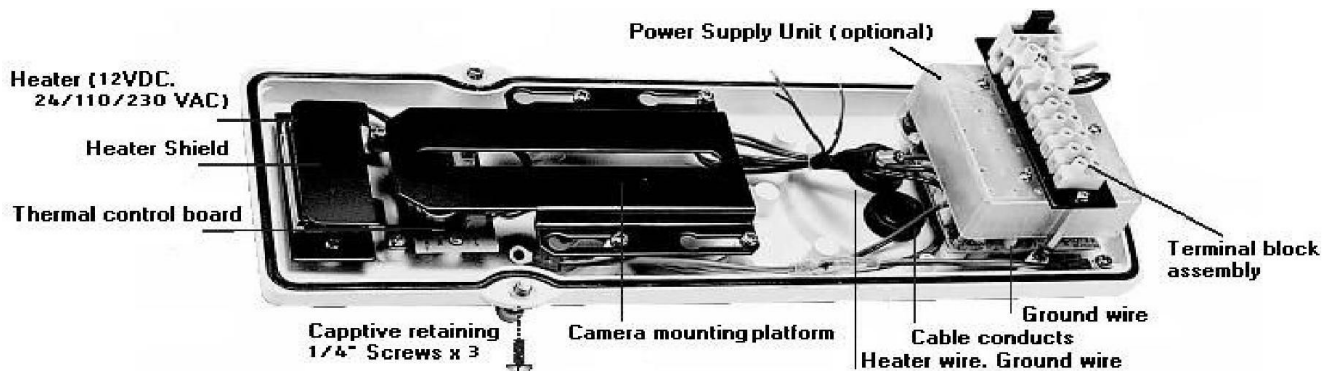
I. Introduction

The STH-5230 Series Camera Housing is constructed from die-cast aluminum alloy with powder coated finish and is equipped with an adjustable Fully-Cable-Managed Mounting Bracket. The product is CE certified and has environmental protection level IP 67 or IP 44 with blower, and RoHS compliance.

II. Mounting Configuration and Dimensions of STH-5230 Series



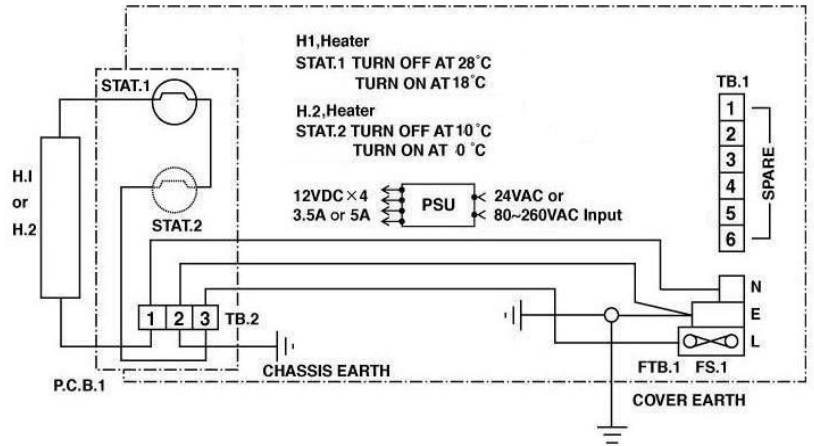
III. Fitting instructions for camera.



IV. Wiring Diagram

Inside the internal wiring diagram of STH-5230 Series for the window demister. A spare 6 way terminal block is provided at the rear of the housing for the camera when necessary and lens connections. Circuit identified

TB.1	6 way terminal block
TB.2	3 way terminal block
FTB.1	Fused terminal block
STAT.1	18 \square Thermostat
STAT.2	10 \square Thermostat
H.1	Heater
PSU	Power Supply Unit
P.C.B.1	Thermal control circuit board
FS.1	3 Amp. Fuse

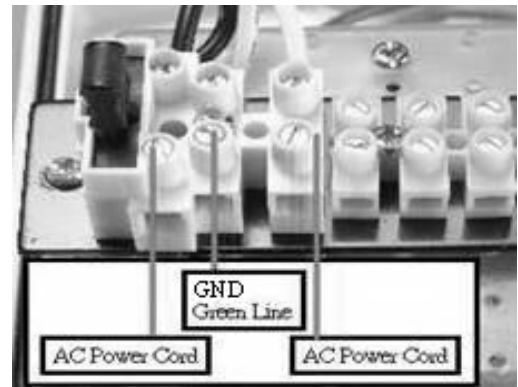
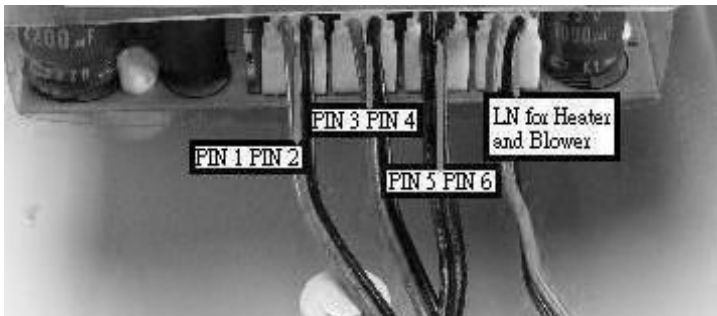


DC output of PSU connectors

1. Pin1,2 and pin 3,4 is DC 12V output for motor lens, IR illuminator, siren or speaker use. If no use please remove cable from connector.
2. Pin 5,6 is for DC12V output for camera.

AC power connection

Shows how to connect the AC power cord to the FTB. 1 connector.



V. INSTALLATION SUGGESTION:

If you plan to install this camera into a tropical, sear coastal, saltwater or corrosive industrial water/moist environment, please seal each stainless steel screw and fittings with a silicon grease compounds. This will help prevent electrolysis corrosive occurring and extend the lifespan of the camera and housing. The installation of a surge protection device is strongly recommended in frequent thunder area.

IMPORTANT NOTE:



1. *Disconnect Device:* A disconnect device from main supply shall be incorporated in the building installation wiring.
2. *Electrical Connections:* Only a qualified electrician allow to make electrical connections.

Model No.	Single heater		Double heaters*		Blower (IP44)		PSU (power supply unit)			
	12Vdc / 24Vac	110 / 230Vac	12Vdc / 24Vac	110 / 230Vac	12Vdc	24Vac	880	080	324	424
STH-1230S		●								
STH-1230D				●						
STH-1230S-PSU1		●					●			
STH-1230D-PSU1				●			●			
STH-3230D				●						
STH-3230D-PSU1				●			●			
STH-5230D-PSU2			●					●		

*First heater prevents moisture of the window glass till weather temperature -25°, second heater is heating in housing for camera operation properly till weather temperature – 40°

**With 12Vdc camera jet