



Smartec – STH 3230

Outdoor camera housing



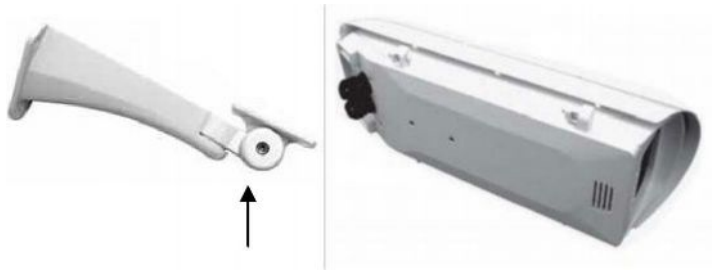
User Manual

I. Introduction

The STH-3230 Series Camera Housing is constructed by die-cast aluminum alloy with powder coated finished and equipped with adjustable BR-16 (Semi-Cable Managed) Mounting Bracket. The Product is CE certified, owns IP 67 or IP 44 environmental protection level and conform with RoHS regulations.

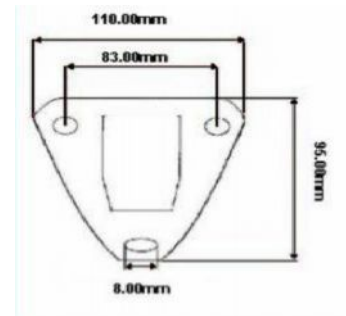
II. Mounting Configuration and Dimensions of STH-3230 Series

BR-16 Semi-Cable Managed Bracket

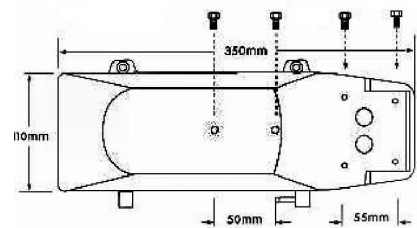


Adjust position and direction

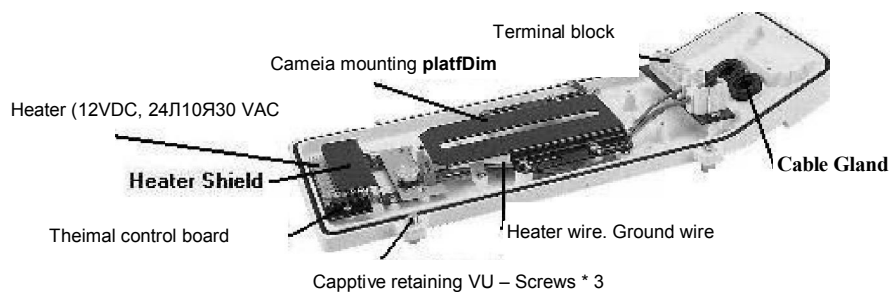
Dimensions of Bracket Base



Inner space for camera mount W90 x H70 x L260mm



III. Fitting instructions for camera.



Model No.	Single heater		Double heaters*		Blower (IP44)		PSU (power supply unit)			
	12Vdc / 24Vac	110 / 230Vac	12Vdc / 24Vac	110 / 230Vac	12Vdc	24Vac	880	080	324	424
	1. Turn on at 18°C 2. Turn off at 28°C		1. Turn on at 18°C Turn off at 28°C 2. Turn on at 0°C Turn off at 10°C		1. Turn on at 35°C 2. Turn off at 25°C		1. 880 (80-260Vac input, 1x12Vdc output, 1A) 2. 080 (80-260Vac input, 4x12Vdc output, 3.5A) 3. 324 (24Vac input, 4x12Vdc output, 3.5A) 4. 424 (24Vac input, 1x12Vdc output, 1.5A)			
STH-1230S		●								
STH-1230D				●						
STH-1230S-PSU1		●					●			
STH-1230D-PSU1				●			●			
STH-3230D				●						
STH-3230D-PSU1				●			●			
STH-5230D-PSU2			●					●		

*First heater prevents moisture on the window glass till weather temperature -25□, second heater is heating in housing for camera operation properly till weather temperature -40□

**With 12Vdc camera jet