

STH-1230

Outdoor camera housings

- IP66 rated
- Full opening
- Wall bracket supplied with housing
- Partial cable feedthrough
- Construction: die-cast aluminium
- Integrated sunshield
- Easy access to terminal block at the back of the housing
- Models with single or dual heaters
- Versions with 12 VDC camera power supply available
- Optional 24 VAC heaters



The STH-1230 series outdoor housings are ideal for environmental camera protection in a wide temperature range. They are offered with single or dual heaters, as well as with or without built-in camera power supply. Dual heaters first of all ensure wider operating temperature range, and allow to solve the problem of viewing window fogging. The first heater prevents condensing on the window at positive temperatures and heats the air inside the housing, while the second provides wider low-temperature operating range.

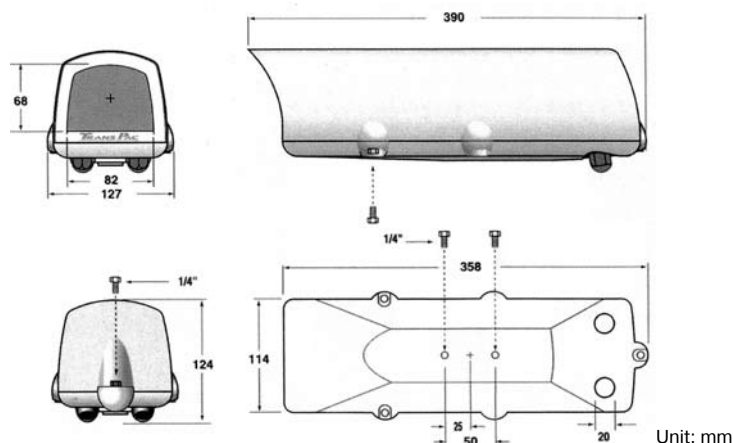
Full opening of the housing top provides easy access to camera, allowing to adjust camera position on the mounting plate. Integrated sun shield ensures protection from direct sun light falling on the viewing window and prevents glare.

The housings are equipped with cable glands, while the supplied bracket provides for partial cable feedthrough and allows to hide the cable inside the wall or feed it outside from the bottom of the bracket.

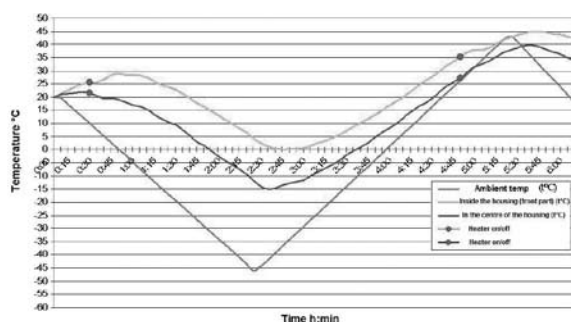
Due to use of 1 A power supply, the STH-1230S-PSU1 and STH-1230D-PSU1 are suitable for most 12 VDC cameras.

OUTDOOR CAMERA HOUSINGS

Dimensions



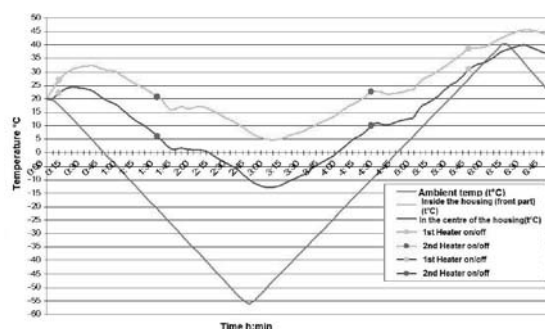
Environmental test result



STH-1230 with single heater

For environmental testing, the housings were placed into heat chamber. The temperature inside the chamber and the housing was set to +20°C and then changed at the rate of 1°/min. A standard B/W camera with lens, and two temperature sensors (one in the center of the housing above the camera, the other over the lens) were installed inside each housing.

In single-heater housing, when temperature inside the heat chamber was rising from -46° to +42°, the temperature in



STH-1230 with dual heaters

the center of the housing was changing from -15° to +42°C, and the temperature above the lens - from 0° to +45°C. In dual-heater housing, when temperature inside the heat chamber was rising from -56° to +41°, the temperature in the center of the housing was changing from -12.9° to +39.9°C, and the temperature above the lens - from +5° to +45.6°C. As the charts show, for single-heater housings operating temperature range is within -40° to +50°C, while for dual-heater housings it is within -55° to +50°C.

Specifications

Model:	STH-1230S	STH-1230D	STH-1230S-PSU1	STH-1230D-PSU1
IP rating:	IP66			
Construction:	Die-cast aluminium			
Number of Heaters:	1	2	1	2
Heater ON/OFF:	ON at +18°C; OFF at +28°C	1-st heater: ON at +18°C; OFF at 28°C 2-nd heater: ON at 0°C; OFF at +10°C	ON at +18°C; OFF at +28°C	1-st heater: ON at +18°C; OFF at 28°C 2-nd heater: ON at 0°C; OFF at +10°C
Operating Temperature:	-40°... +50°C	-55°... +50°C	-40°... +50°C	-55°... +50°C
Built-in Power Supply:	No		220 VAC / 12 VDC, 1 A	
Input voltage:	230 VAC (24 VAC optional)			
Effective internal Space:	240x90x70 mm			
Dimensions :	390x127x124 mm			

Accessories

STB-C20	Pole mount adapter for STH series housings
STB-C21	Corner mount adapter for STH series housings