

# STC-IPM2090A/3090A

## Color and Day/Night Megapixel IP Cameras

- 1/3" CMOS image sensor (1.3 megapixel)
- 4.2 mm/F1.8 megapixel lens bundled
- Mechanical IR cut filter – Day/Night mode (STC-IPM3090A)
- MPEG4/MJPEG compression
- SXGA resolution at 8 FPS frame rate
- Backlight Compensation; 6 White Balance modes
- Built-in hardware motion detection
- Two-way audio transmission
- PoE supported
- Bundled NVR software



With 1.3 megapixel Progressive Scan CMOS image sensor, the STC-IPM2090A/3090A produce highly detailed, 1280x1024 pixel image without edge jittering of the moving objects. The IP cameras offer M-JPEG or MPEG-4 video transmission at VGA to SXGA resolution and frame rate of up to 30 FPS. They are equipped with audio input/output, TTL input for alarm detector connection, TTL output, as well as configurable motion detector. The STC-IPM2090A/3090A are supplied with fixed focus megapixel lens, which can be replaced with any other megapixel manual iris lens (e.g. varifocal), if required. You can choose 12VDC power supply or PoE (Power over Ethernet).

### Day-and-night surveillance

The STC-IPM3090A is equipped with mechanical IR cut filter, which allows using the camera day and night in variable lighting indoor environment. In color mode, the IP camera features minimum illumination of 0.5 Lux; while when light level decreases below a certain threshold, the IR cut filter is removed and the STC-IPM3090A switches to black/white mode, and its minimum illumination level increases to 0.05 Lux. Day/night switching is controlled by CDS sensor.

### Alarm response

For security purpose, the STC-IPM2090A/3090A can utilize hardware motion detection with three detection zones (size and sensitivity are customized), with different response to motion detection in each zone. The IP cam-

eras use alarm input for alarm detector connection, and TTL output to connect any external output device. When the alarm detector or sensor triggers an alarm, the STC-IPM2090A/3090A can activate remote video recording, enable alarm device, send alarm notification messages and snapshots by e-mail or to a specified FTP server.

### Two-way audio support

The STC-IPM2090A/3090A supports two-way audio communication between the protected area and the monitoring station. For this purpose, the IP cameras are equipped with audio input and output to connect external microphone and speaker.

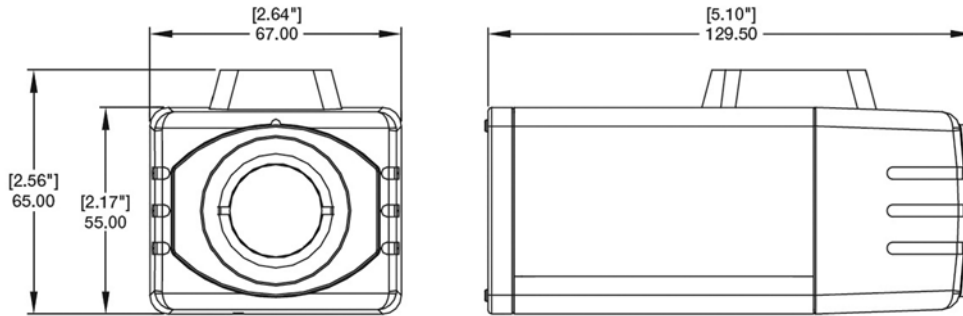
### Remote control software

Each Smartec IP camera or IP video server is supplied with free multi-language NVR software. The software offers a full range of features required for effective video surveillance and supports up to 32 Smartec IP devices, with expansion to up to 64 by acquiring additional licenses.

To implement video surveillance at large and geographically distributed facilities, using Smartec or third party analog and IP cameras, we recommend using NetStation software. The software offers multiple features for viewing and recording video, allows to use eMap graphic plans, and can perform smart motion search in archived video.

# MEGAPIXEL IP CAMERAS

## Dimensions



Unit: mm

## Specifications

Model:	STC-IPM2090/1	STC-IPM3090/1
Image Sensor:	1/3" Micron Progressive Scan CMOS	
Effective Pixels:	1280 H) x 1024(V)	
Minimum Scene Illumination:	0.5 Lux (F1.8, 30 IRE, max AGC)	Color: 0.5 Lux (F1.8, 30 IRE, max AGC) B/W: 0.05 Lux (F1.8, 30 IRE, max AGC)
Lens:	4.2mm/F1.8	
Synchronisation:	Internal	
Electronic Shutter:	1/10–1/2000 sec	
Backlight Compensation:	Yes	
AGC:	AUTO (user-defined)	
White Balance:	6 modes (AUTO / MANUAL / HOLD CURRENT / INDOOR1 / INDOOR2 / OUTDOOR1 / OUTDOOR2)	
S/N Ratio:	>44 dB	
Compression:	MPEG4 / MPEG	
Resolution:	SXGA (1280x1024) at 8 FPS HD720 (1280x720) at 10 FPS VGA (640x480) at 30 FPS	
Motion Detection:	Hardware, up to 3 detection areas	
Audio:	8 kHz, mono, PCM	
Bit Rate:	28 Kbps - 3 Mbps	
Network Connection:	Ethernet 10/100Base-T, RJ-45	
Protocol:	TCP, UDP, IP, HTTP, DHCP, PPPoE, RTP, RTSP, FTP, SMTP, DNS, DDNS, NTP, ICMP, IGMP, ARP, 3GPP	
Security:	Password protection; settings changed only by the Administrator	
Alarm Input/Output:	TTL, 1 IN, 1 OUT	
Web Browser:	Internet Explorer 6.0 or higher	
Operating Temperature:	0°C... +50°C	
Input Voltage:	12 VDC +/- 10; PoE (IEEE 802.3af), Class 3	
Power Consumption:	3.3 W (12 V DC); 4.3 W (PoE)	
Dimensions:	129.5 mm (L) x 67 mm (W) x 55 mm (H)	
Weight:	400 g	

## Accessories

STB-C01	Wall/ceiling camera bracket; aluminium; 175 mm
STB-C02	Wall/ceiling mount bracket; aluminium; cable feedthrough; 170 mm
NVR Software	Network recording software; 32 video/audio channels. Expansion to 64 channels per server. Client-Server architecture. Multi-language. Supplied with Smartec IP cameras and IP videosevers.
NetStation	Network recording software; 16 channels; for Smartec, Axis, Arecont Vision, JVC, and other IP hardware manufacturers; expansion to 64 channels per server. Multiserver and hybrid configuration support. Interactive graphic maps. Client software for PCs, pocket PCs, smart phones. Multi-language.