

STC-IP3570A

Vandal Proof Day/Night Dome IP Camera

- **1/3" Sony ExViewHAD CCD**
- **Built-in 3.8mm-9.5mm varifocal auto iris lens**
- **IP66-rated outdoor version**
- **MPEG4-ASP compression**
- **CIF up to Full D1 resolution at 25 FPS frame rate**
- **Backlight Compensation, Auto White Balance, Flickerless**
- **Vandal proof enclosure with heater**
- **LAN and WAN ports**
- **Built-in hardware motion detection (up to 3 detection areas)**
- **Composite video output**
- **Two-way audio transmission**
- **QoS supported**
- **Bundled NVR software**

The IP camera with a built-in varifocal lens is ideal for indoor and outdoor video surveillance systems. Due to its vandal proof dome enclosure with heater, the STC-IP3570A is suitable for applications with temperature range from -30°C to +50°C. When light level is reduced, the camera automatically switches into B/W mode, continuing to produce high quality video.

Due to use of the original processor and MPEG4-ASP compression, as well as network-based bandwidth control, the STC-IP3570A cameras provide real-time video streaming at the frame rate of up to 25 FPS at 720x576 resolution with network bandwidth of about 1 Mbps. Built-in hardware motion detection, and alarm input and output allow to customize the STC-IP3570A's response to alarm events. The STC-IP3570A supports two-way audio transmission over the network.

Effective bandwidth control

The STC-IP3570A provides video streaming at the bit rate from 28 Kbps to 3 Mbps, depending on image quality settings. At the same time, the IP camera can automatically adjust video stream according to network bandwidth based on the specified priority (picture quality, frame rate, traffic). The Smartec IP cameras support QoS (Quality of Service) feature, which provides bandwidth reservation for streaming video from the IP camera.



LAN and WAN connections

The STC-IP3570 IP camera is equipped with two Ethernet 10/100Base-T ports, which allow connection to two networks: LAN and WAN. In high-security networks, there is a possibility to use the Failover feature, providing automatic WAN port settings assignment to LAN port, if the IP camera is simultaneously connected to LAN and WAN and WAN communication is interrupted. WAN port supports PPPoE, which enables the IP camera to be connected directly to ADSL modem.

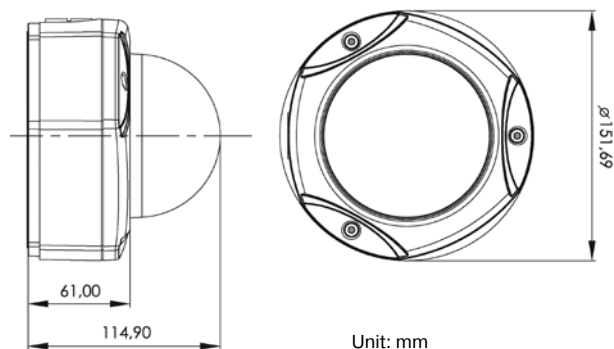
Remote control software

Each Smartec IP camera or IP video server is supplied with free multi-language NVR software. The software offers a full range of features required for effective video surveillance and supports up to 32 Smartec IP devices, with expansion to up to 64 by acquiring additional licenses.

To implement video surveillance at large and geographically distributed facilities, using Smartec or third party analog and IP cameras, we recommend using NetStation software. The software offers multiple features for viewing and recording video, allows to use eMap graphic plans, and can perform smart motion search in archived video.

All IP camera settings become available after authorization when connected directly via Internet Explorer.

Dimensions



Specifications

Model:	STC-IP3570A/1
Image Sensor:	1/3" Sony ExView CCD
Effective pixels:	795(H) x 596(V)
Horizontal Resolution:	540 TVL
Minimum Scene Illumination:	Color: auto switching to B/W at 4 Lux; B/W: 0.05 Lux (F1.2, 30 IRE, SuperAGC)
IR Sensitivity:	700-1100 nm
Lens:	3.8mm-9.5 mm built-in varifocal lens
Camera Angle Adjustment:	Pan: +/-180°; Tilt: 90°
Synchronization:	Internal
Video Output:	CVBS, 1 Vp-p, 75 ohms, BNC
Audio Input/Output:	Line, 1.4 Vp-p, 8 kHz, 3.5 mm jack
Electronic Shutter:	1/50-1/100000 sec
Backlight Compensation/ AGC:	ON/OFF
White Balance:	AWB
Flickerless:	ON/OFF
Automatic Iris Control:	DC/Video drive
S/N Ratio:	>50 dB
Compression:	MPEG4-ASP
Video Resolution:	720x576, 352x288, 176x144
Video Frame rate:	Up to 25 FPS at 720x576
Motion Detection:	Hardware, up to 3 detection areas
Audio:	8 KHz, mono, PCM
Bit Rate:	28 Kbps - 3 Mbps
Network Connection:	LAN: Ethernet 10/100Base-T; WAN: Ethernet 10/100Base-T
Protocol:	TCP, UDP, IP, HTTP, DHCP, PPPoE, RTP, RTSP; QoS supported
Security:	Password protection; settings changed only by the Administrator
Alarm Input/Output:	TTL, 1 IN, 1 OUT
Web Browser:	Internet Explorer 6.0 or higher
Enclosure:	IP66, Vandal proof, durability up to 702KgF
Mounting:	Ceiling or wall mounting (using optional bracket)
Heater, Fan:	Yes
Operating Temperature:	-30° ... +50°C
Input Voltage:	12 VDC +/-10%
Power Consumption:	7.7 W; 14.9 W with heater and fan ON
Dimensions:	D151mm x 115 mm
Weight:	1.2 Kg

Accessories

NVR Software	Network recording software; 32 video/audio channels. Expansion to 64 channels per server. Client-Server architecture. Multi-language. Supplied with Smartec IP cameras and IP videosevers.
NetStation	Network recording software; 16 channels; for Smartec, Axis, Arecont Vision, JVC, and other IP hardware manufacturers; expansion to 64 channels per server. Multiserver and hybrid configuration support. Interactive graphic maps. Client software for PCs, pocket PCs, smart phones. Multi-language.
STB-C19001	Wall mount bracket for STC-IP3570A/1