

STC-IP2580

Color IP Dome Camera

- **1/3" Sony SuperHAD CCD**
- **Built-in 3.6 mm lens**
- **MPEG4-SP or MJPEG compression**
- **CIF up to Full D1 resolution at 25 FPS frame rate**
- **Built-in hardware motion detection (up to 3 detection areas)**
- **Composite video output**
- **Two-way audio**
- **PoE (Power Over Ethernet) supported**
- **Bundled NVR software**



The IP camera with a built-in lens is ideal for Entry Level indoor video surveillance systems. The STC-IP2580 is supplied in a decorative dome housing. You can choose 12 VDC power supply or PoE (Power over Ethernet).

Using one of the two selectable compression – MPEG4-SP or MJPEG, the STC-IP2580 domes provide real-time video streaming at the frame rate of up to 25 FPS at 720x576 pixel resolution with network bandwidth of about 1 Mbps. The built-in hardware motion detection, and alarm input and output allow to customize the STC- IP2580's response to alarm events. In addition, the IP dome supports two-way audio transmission over the network.

Composite video output

The STC-IP2580 is equipped with a composite video output, which allows to perform on-site lens adjustment using test monitor. In addition, when required the camera can be simultaneously connected both to Ethernet and to the conventional analog video system.

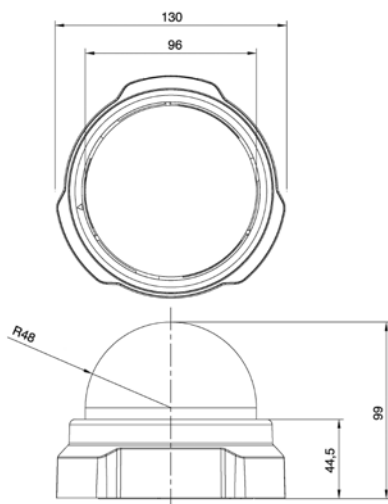
Remote control software

Each Smartec IP camera or IP video server is supplied with multi-language NVR software. The software offers a full range of features required for effective video surveillance and supports up to 32 Smartec IP devices, with expansion to up to 64 by acquiring additional licenses.

To implement video surveillance at large and geographically distributed facilities, using Smartec or third party analog and IP cameras, we recommend using NetStation software. The software offers multiple features for viewing and recording video, allows to use eMap graphic plans, and can perform smart motion search in archived video.

All IP camera settings become available after authorization when connected directly via Internet Explorer.

Dimensions



Unit: mm

Specifications

Model:	STC- IP2580/1
Image Sensor:	1/3" Sony SuperHAD CCD
ElementsEffective Pixels:	537(H) x 597(V)
Horizontal Resolution:	420 TVL
Minimum scene illumination:	0.3 Lux (F2.0, 30IRE)
Lens:	3.6 mm, F2.0, 80°
Camera Angle Adjustment:	Pan: 0°-170° Tilt: 0°-90°
Synchronization System:	Internal
Video Output:	CVBS, 1 Vp-p, 75 ohms, BNC
Electronic Shutter:	1/50–1/100000 sec
Backlight Compensation:	Auto
AGC:	Auto
S/N Ratio:	>48 dB
Compression:	MPEG4-SP, MJPEG
Video Resolution:	720x576, 640x480, 352x288, 176x144
Video Frame rate:	Up to 25 FPS at 720x576
Motion Detection:	Hardware, up to 3 detection areas
Audio:	8 KHz, mono, PCM
Bit Rate:	28 Kbps - 3 Mbps
Network Connection:	Ethernet 10/100Base-T, RJ45
Protocol:	TCP, UDP, IP, HTTP, DHCP, PPPoE, RTP, RTSP
Security:	Password protection; settings changed only by the Administrator
Web Browser:	Internet Explorer 6.0 or higher
Operating Temperature:	-10°... +50°C
Input Voltage:	12 VDC +/- 10%; PoE (IEEE 802.3af), Class 3
Power Consumption:	5 W (12 VDC)
Dimensions:	D130mm x 99 mm
Weight:	350 g

Accessories

NVR Software	Network recording software; 32 video/audio channels. Expansion to 64 channels per server. Client-Server architecture. Multi-language. Supplied with Smartec IP cameras and IP videoservers.
NetStation	Network recording software; 16 channels; for Smartec, Axis, Arecont Vision, JVC, and other IP hardware manufacturers; expansion to 64 channels per server. Multiserver and hybrid configuration support. Interactive graphic maps. Client software for PCs, pocket PCs, smart phones. Multi-language.
STB-C201	Wall mount bracket