

# STC-IP2571A

## Vandal Proof Color Dome IP Camera

- **1/3" Sony SuperHAD CCD**
- **Built-in 3.8mm-9.5mm varifocal auto iris lens**
- **MPEG4-ASP compression**
- **CIF up to Full D1 resolution at 25 FPS frame rate**
- **Backlight Compensation, Auto White Balance, Flickerless**
- **LAN and WAN ports**
- **IP66-rated outdoor version**
- **Built-in hardware motion detection (up to 3 detection areas)**
- **Composite video output**
- **Two-way audio**
- **QoS supported**
- **PoE (Power Over Ethernet) supported**
- **Bundled NVR software**

The IP camera with a built-in varifocal lens is ideal for indoor and outdoor video surveillance systems. Due to its vandal proof dome enclosure with heater and IP66-rated dust and moisture protection, the STC-IP2571A can be used in applications with ambient temperature range from -30°C to +50°C. You can choose 12 VDC power supply or PoE (Power over Ethernet).

Due to use of the original processor and MPEG4-ASP compression, as well as network-based bandwidth control, the STC-IP2571A cameras provide real-time video streaming at the frame rate of up to 25 FPS at 720x576 pixel resolution with network bandwidth of about 1 Mbps. The built-in hardware motion detection, and alarm input and output allow to customize the STC-IP2571A's response to alarm events. The STC-IP2571A supports two-way audio transmission over the network when connected to external microphone and speaker.

### Effective bandwidth control

The STC-IP2571A can provide video streaming at the bit rate from 28 Kbps to 3 Mbps, depending on image quality settings. At the same time, the IP camera can automatically adjust video stream according to network bandwidth based on the specified priority (picture quality, frame rate, traffic). Smartec IP cameras support QoS



(Quality of Service) feature, which provides bandwidth reservation for streaming video from the IP camera.

### LAN and WAN connections

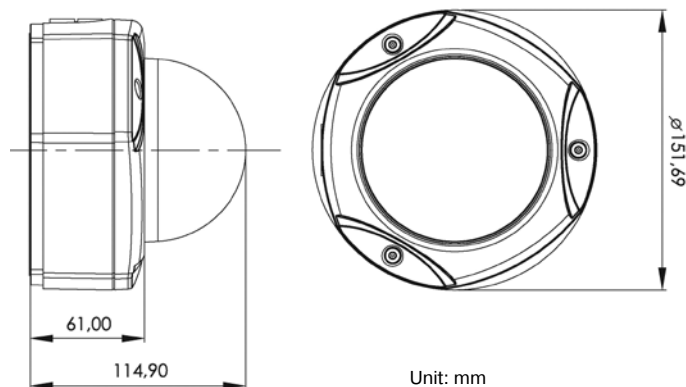
The STC-IP2571A IP camera is equipped with two Ethernet 10/100Base-T ports, which allow simultaneous connection to two networks: LAN and WAN. In high-security networks, there is a possibility to use the Failover feature, providing automatic WAN port settings transmission to LAN port, if the IP camera is simultaneously connected to LAN and WAN and WAN communication is interrupted. WAN port supports PP-PoE, which enables the IP camera to be connected directly to ADSL modem.

### Remote control software

Each Smartec IP camera or IP video server is supplied with free multi-language NVR software. The software offers a full range of features required for effective video surveillance and supports up to 32 Smartec IP devices, with expansion to up to 64 by acquiring additional licenses.

To implement video surveillance at large and geographically distributed facilities, using Smartec or third party analog and IP cameras, we recommend using NetStation software. The software offers multiple features for viewing and recording video, allows to use eMap graphic plans, and can perform smart motion search in archived video.

## Dimensions



## Specifications

<b>Model:</b>	<b>STC- IP2571A/1</b>
<b>Image Sensor:</b>	1/3" Sony SuperHAD CCD
<b>Effective Pixels:</b>	795(H) x 596(V)
<b>Horizontal Resolution:</b>	540 TVL
<b>Minimum Scene Illumination:</b>	0.15 Lux (F1.2, 30 IRE, SuperAGC)
<b>Lens:</b>	3.8mm–9.5 mm built-in varifocal lens
<b>Camera Angle Adjustment:</b>	Pan: +/- 180°; Tilt: 90°
<b>Synchronization System:</b>	Internal
<b>Video Output:</b>	CVBS, 1 Vp-p, 75 ohms
<b>Electronic Shutter:</b>	1/50–1/1000000 sec
<b>Backlight Compensation:</b>	ON/OFF
<b>AGC:</b>	ON/OFF
<b>White Balance:</b>	AWB
<b>Flickerless:</b>	ON/OFF
<b>Automatic Iris Control:</b>	DC/Video drive
<b>S/N Ratio:</b>	>50 dB
<b>Compression:</b>	MPEG4-ASP
<b>Video Resolution:</b>	720x576, 352x288, 176x144
<b>Video Frame rate:</b>	Up to 25 FPS at 720x576
<b>Motion Detection:</b>	Hardware, up to 3 detection areas
<b>Audio:</b>	8 KHz, mono, PCM
<b>Bit Rate:</b>	28 Kbps - 3 Mbps
<b>Network Connection:</b>	LAN/WAN: Ethernet 10/100Base-T
<b>Protocol:</b>	TCP, UDP, IP, HTTP, DHCP, PPPoE, RTP, RTSP; QoS supported
<b>Security:</b>	Password protection; settings changed only by the Administrator
<b>Alarm Input/Output</b>	TTL, 1 IN, 1 OUT
<b>Web Browser:</b>	Internet Explorer 6.0 or higher
<b>Enclosure:</b>	IP66, Vandal proof, durability up to 702KgF
<b>Mounting:</b>	Ceiling or wall mounting (using optional bracket)
<b>Heater, Fan:</b>	Yes
<b>Operating Temperature:</b>	-30° ... +50°C
<b>Input Voltage:</b>	12 VDC +/- 10%; PoE (IEEE 802.3af), Class 3
<b>Power Consumption:</b>	Up to 14.9 W (heater and fan ON)
<b>Dimensions:</b>	D125mm x 109 mm
<b>Weight:</b>	1.2 kg

## Accessories

<b>NVR Software</b>	Network recording software; 32 video/audio channels. Expansion to 64 channels per server. Client-Server architecture. Multi-language. Supplied with Smartec IP cameras and IP videosevers.
<b>NetStation</b>	Network recording software; 16 channels; for Smartec, Axis, Arecont Vision, JVC, and other IP hardware manufacturers; expansion to 64 channels per server. Multiserver and hybrid configuration support. Interactive graphic maps. Client software for PCs, pocket PCs, smart phones. Multi-language.
<b>STB-C19001</b>	Wall mount bracket for STC-IP2571A/IP3570A