



**Smartec – Outdoor IR LED  
Day/Night Camera  
STC-3640**



**User manual**

# CONTENTS

•Features

•Warning & Caution

•Functions

•Specifications

•Dimensions

# FEATURES

1. Visible range at night. (indoor:40m, outdoors:30m)
2. Built-in Sony SS-HQ1.
  - High resolution: SONY SS-HQ1
3. Very easy outside control.
  - BLC (Back Light Compensation): ON/OFF
  - FLK (Flickerless): ON/OFF
  - LEVEL: DC level control by DC auto iris vari-focal
  - Vari-focal lens (T~W /N ~∞) control
  - Illumination Control Up To 10 Steps.
  - LED Power Light Control (Hi / Low)
4. This camera keeps good IR LED illumination even in condition of increased input voltage(9V).
5. This product has the stabilization for cooling fan on/off control by adapting CPU control system.
6. This product has the stabilization for IR LED on/off control by adapting CPU control system.
7. True color at day and True B/W at night.
8. This product is weather proof to resist rain, snow and other weather factors.
9. Cables (power, video) are invisible (Cable through bracket.)

# WARNING & CAUTION

The unit should be installed by trained.

Always stop using when the product emits smoke or abnormal heat.

Never install the product in an area exposed to oil or gas.

Never install the product on an unstable surface that cannot hold its weight.

Never touch the power cord with wet hands.

Never install the product in extreme high or low temperature.

Never drop, hit strongly, or vibrate the product.

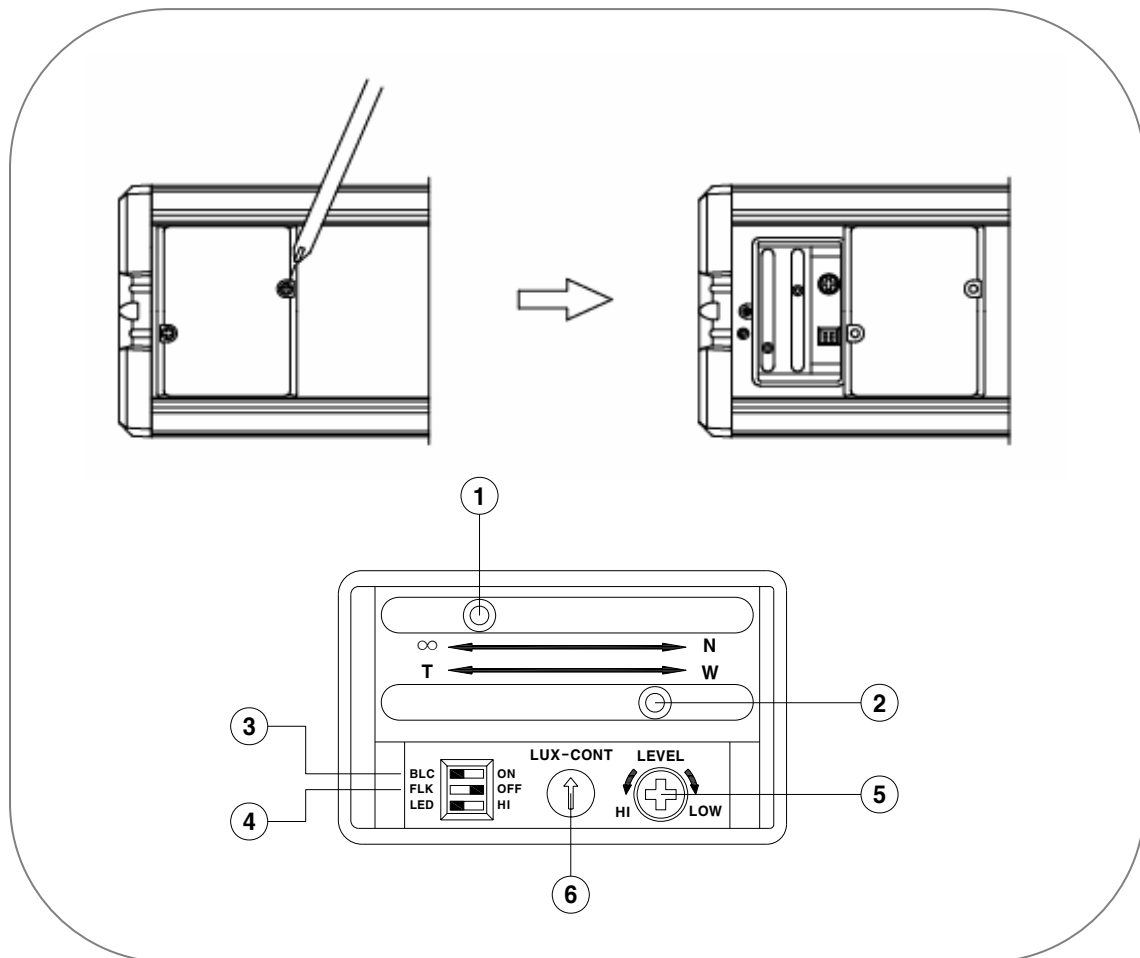
Never adhere dangerous articles to the camera.

Never flash LED light directly on the eyes when LEDs are on.

Never use improper power that can cause fire or electric shock.

Never disassemble or re-model the camera that can cause fire, electric shock, or hazards.

# FUNCTIONS

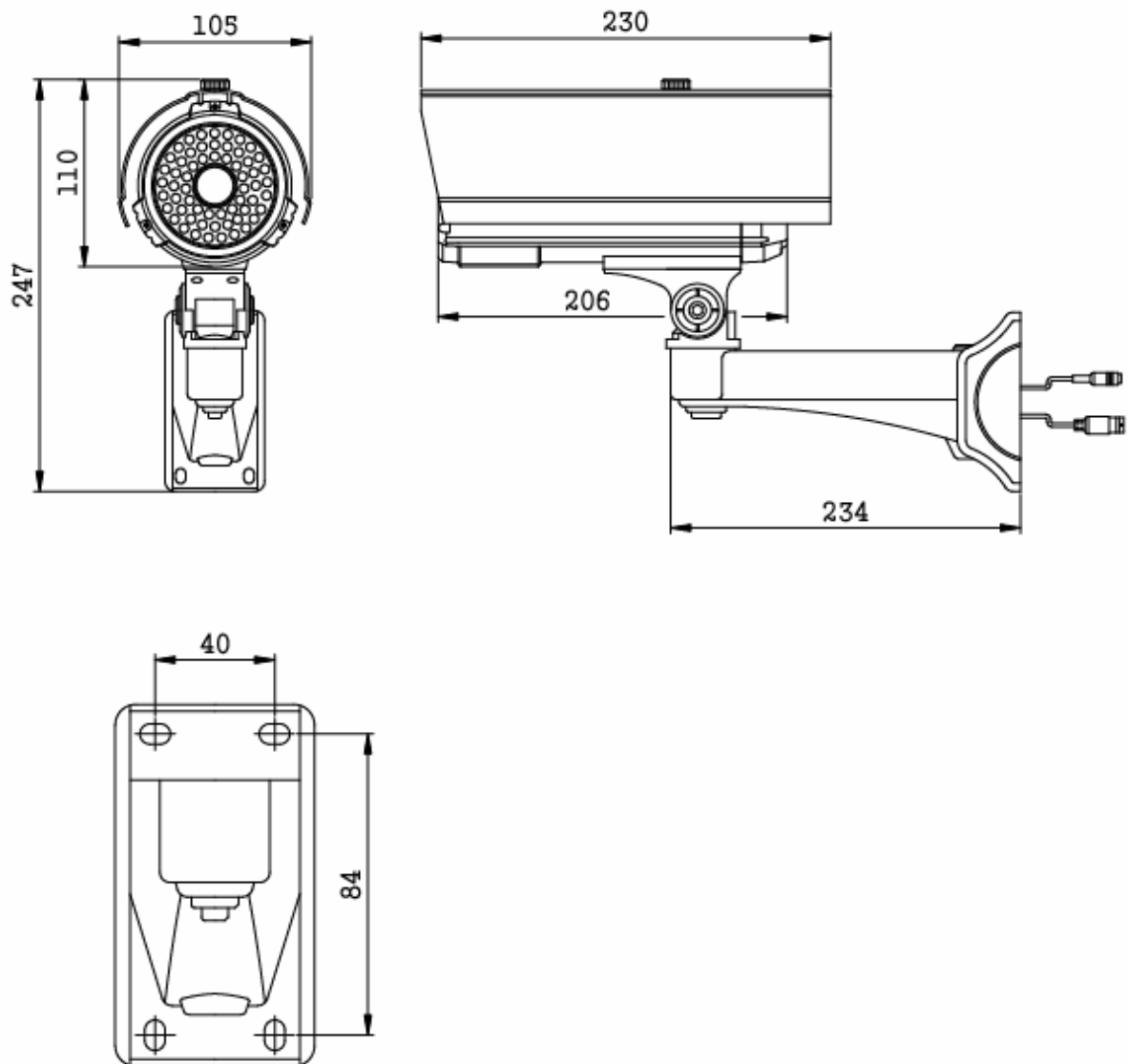


1. Focus control lever
2. Zoom control lever
3. BLC : Back Light Compensation ON/OFF Switch
4. FLK : Flickerless ON/OFF Switch
5. LED : LED Light Power Switch (Hi/Low)
6. Illumination Control Volume (10 Levels)
7. LEVEL : DC Level control Volume

# SPECIFICATIONS

	<b>STC-3640/3</b>
<b>Type</b>	Day & Night Color Camera (With IR Illuminator)
<b>Image Sensor</b>	Sony - 1/3 Inch - Super HAD Color CCD
<b>Effective Pixels</b>	NTS C : 768 (H) x 494 (V) PAL : 752 (H) x 582 (V)
<b>H - Resolution</b>	More than 520 TV Lines
<b>Video System</b>	NTSC,PAL TV System
<b>Scanning System</b>	NTSC : 525 Lines 2:1 Interlace PAL : 625 Lines 2:1 Interlace
<b>Scanning Frequency</b>	NTSC : 15.734 [KHZ] / 59.94 [HZ] PAL : 15.625 [KHZ] / 50 [HZ]
<b>Shutter Speed</b>	NTSC : 1/60 ~ 1/100,000 sec PAL : 1/50 ~ 100,000 sec
<b>Sync System</b>	Internal Sync
<b>CCD Level Control</b>	ALC (DC auto iris lens control)
<b>AGC Gain Control</b>	Automatic ( 0 ~ 18dB )
<b>White Balance</b>	Automatic White Balance
<b>Gamma</b>	0.45 Approx
<b>S/N Ratio</b>	More than 48 [dB] / AGC Off
<b>C.Video Output</b>	VBS 1.1 Vp-p / 75ohm : IR LED OFF VS 1.1 Vp-p / 75ohm : IR LED ON
<b>Minimun Illumination</b>	0.05 Lux (F:1.2 / 40 IRE ) : IR LED OFF 0.00 Lux (0 ~ 30 m ) : IR LED ON
<b>Power Supply</b>	Regulated DC 12V
<b>Consumption</b>	Max 200mA : Camera only
<b>Current</b>	Max 1100mA : IR LED,Cooling Fan ON
<b>Operating Temp'</b>	-40°c ~ +50°c
<b>Storage Temp'</b>	-20 °c ~ +60 °c
<b>IR LED</b>	850nm - 70ea
<b>LENS</b>	Varifocal DC auto iris Lens (4.0mm ~ 9.0mm)
<b>CDS</b>	IR LED ON : 5 Lux +/- 10 □
<b>Thermistor</b>	Cooling Fan ON : 40□ +/- 10□ Heater ON : 0□ +/- 10□
<b>Out side Control</b>	Near - Far control lever Tele - Wide control lever DC Auto Iris Lens Level control VR BLC / Flickerless on-off DIP SW LED Power Light Control SW (Hi/Low) Illumination Level Control Lerer (10 Stets)
<b>Dimension</b>	105 (W) X 110 (H) X 230 (D) mm
<b>Weight</b>	Net : 2.4 Kg / Gross : 3Kg
<b>Recommendation</b>	<b>Regulated DC 12V - 1.5 [A] Power Supply</b>

# DIMENSIONS



UNITS: mm