

# STC-3640/3640LR

## Outdoor IR LED Day/Night Camera

- Metal camera housing (IP66)
- 1/3" Sony SuperHAD CCD
- Built-in 850 nm IR LED
- Up to 40 meters IR LED range
- Removable IR cut filter
- High DSP HQ1 520 TVL resolution
- Built-in 4mm-9mm varifocal auto iris lens (9mm-22mm in LR version)
- Convenient lens adjustment without disassembly of enclosure
- Built-in heater and fan
- Supplied feedthrough bracket



The STC-3640 is designed both for indoor or outdoor installation. Aluminum housing is IP-66-rated, and securely protects the camera from dust and moisture. Due to the built-in heater and fan, the STC-3640 can be used in applications with the temperature range from -40°C to +50°C. The cable feedthrough bracket is supplied with the camera.

### Day-and-night surveillance

The STC-3640 is equipped with removable IR cut filter, which allows using the camera day and night. When light level reaches a certain threshold (selectable), the IR filter is removed and the camera switches to b/w mode, providing operation at minimum illumination level down to 0.05 Lux. At the same time, the built-in IR illuminator (70 IR LEDs, 850

nm) is activated. For outdoor surveillance without lighting the viewing distance with the IR illuminator is 40 meters. Illumination level is controlled by CDS sensor. You can select one of the two provided IR illuminator intensity levels.

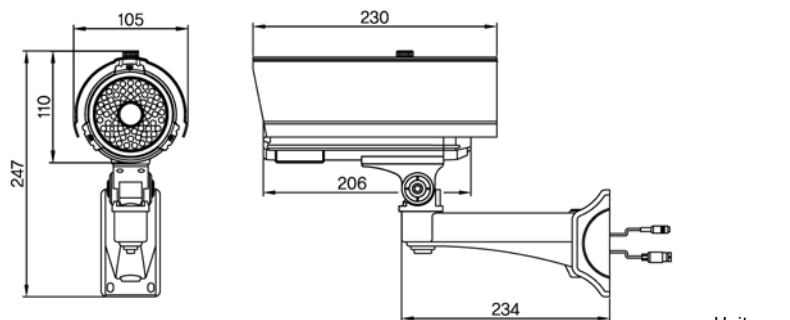
### DSP HQ1 – high resolution

Due to use of DSP HQ1 digital signal processing algorithm, the camera provides extremely high image detail, as well as superior color rendering, with 520 TVL of horizontal resolution.

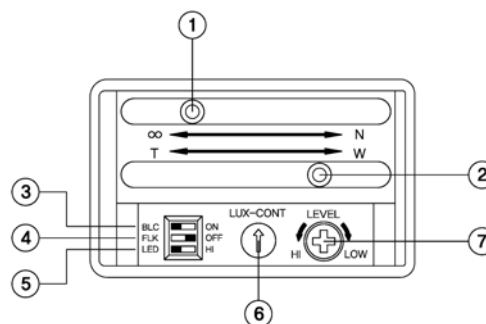
### Easy setup

The sliding plate at the bottom of the housing provides easy and fast access to lens controls and DIP switches which serve to select internal camera settings.

## Dimensions



## Setup



1. Focus adjustment
2. Zoom adjustment
3. BLC: ON/OFF

4. Flickerless: ON/OFF
5. IR illuminator intensity switch
6. Color to B/W mode switching threshold adjustment
7. Auto iris level adjustment

## Specifications

Model:	STC-3640/3	STC-3640LR/3
Camera Type:	Day/night	
Image Sensor:	1/3" color SONY SuperHAD CCD	
Picture Elements:	752 (H) x 582 (V)	
Resolution:	520 TVL	
Built-in Lens:	Varifocal auto iris, DC drive	
Focal Length:	4.0mm - 9.0 mm	9.0 mm - 22.0 mm
Minimum Scene Illumination:	0.05 Lux/F1.2 – IR illuminator OFF; 0 Lux (0-40 m) – IR illuminator ON	
IR LED Wave Length:	850 nm	
Removable IR cut filter	Yes	
Signal to Noise Ratio:	>48 dB (AGC OFF)	
Video Output:	1.1 Vp-p, 75 ohms	
Gamma:	0.45	
Electronic Shutter:	1/50–1/100000 sec	
White Balance:	AWB	
AGC:	Auto (0dB – 18 dB)	
Flickerless:	ON/OFF	
Backlight Compensation:	ON/OFF	
Synchronization System:	Internal	
Input Voltage:	12 VDC/24 VAC	
Fan:	ON at +40° +/- 10%	
Heater:	ON at +10° +/- 10%	
Input Current:	Max. 1.1 A	
Operating Temperature:	-40° to 50°C, < 96%, noncondensing	
Dimensions:	230 mm (L) x 110 mm (W) x 105 mm (H)	
Weight:	2.4 kg	