

STC-3580 Ultimate

Vandal-Proof Day/Night Ultra-High Resolution Camera

- Sony SuperHAD II CCD
- Ultra-high 580/700 TVL (Color/B-W) resolution
- Minimum scene illumination: 0.15/0.001 Lux
- IP66-rated vandal-proof casing
- Weather-proof design (-40°...+50°C)
- Built-in 2.8-11 mm varifocal lens
- Digital Noise Reduction
- Digital Image Stabilization
- High Light Compensation
- Up to 0.00004 Lux frame integration feature
- Built-in hardware motion detection (8 areas)
- Ceiling, flush (drop ceiling) or wall mount
- 12VDC/24VAC input voltage

The Smartec STC-3580 ULTIMATE domes are supplied in vandal-proof casing and are ideal for various types of installation in video surveillance systems with great demands to sensitivity and resolution. Due to three-axis camera mount, it can be installed on horizontal and vertical surfaces without use of additional brackets. The cameras can be also flush-mounted into false ceiling.

The STC-3580 ULTIMATE outdoor installation is possible due to built-in heater, which provides operation within temperature range of -40°C to +50°C, as well as due to IP66-rated dust and moisture protection level. Two power supply options are offered: 12 VDC or 24 VAC (two separate inputs).

New Sony SuperHAD II CCD

Implementation of new Sony Super HAD II CCD in the STC-3580 ULTIMATE allowed to achieve a 6 dB increase of the camera's dynamic range, improve color rendering, reduce color noise, and provide camera operation at light levels of up to 0.15 Lux in color mode and up to 0.001 Lux in B/W mode. Besides, it allowed to suppress the reduction in focusing ratio, which is common when lenses without IR correction are installed on cameras.

Ultra High Resolution

Due to advanced CCD signal processing technology, the STC-3580 ULTIMATE provides ultra-high resolution of 580 TVL in color mode and 700 TVL in B/W mode. The high resolution ensures extreme image detail for easy object recognition and identification.

Day/Night Switching

To prevent sporadic switching between color and B/W modes at momentary change of illumination, the camera allows to set D/N switching delay - 5 to 60 seconds.

Digital Noise Reduction

Digital noise reduction feature (32 levels) allows to achieve higher image quality in low light environment, when normally the picture gets noisy. Along with improved visual perception



of camera image, this mode allows to save up to 70% of DVR disk space when recording video from the camera.

Digital Image Stabilization

Digital image stabilization feature is useful for removing of image jitter which sometimes occurs when a CCTV camera is installed outdoors.

High Light Compensation

High Light Compensation implies the ability of the DSP to darken the extremely bright areas of the picture, which considerably improves visibility of the adjacent areas.

Frame Integration and Other Features

Frame integration mode allows to increase camera sensitivity in extremely low light environment. E.g., integration of 256 frames provides minimum scene illumination of 0.00004 Lux in B/W mode.

The camera allows to set up 8 motion detection areas, with size, location and sensitivity selectable for each individual area. In addition, you can create up to 8 privacy zones, masking certain image areas from the operator.

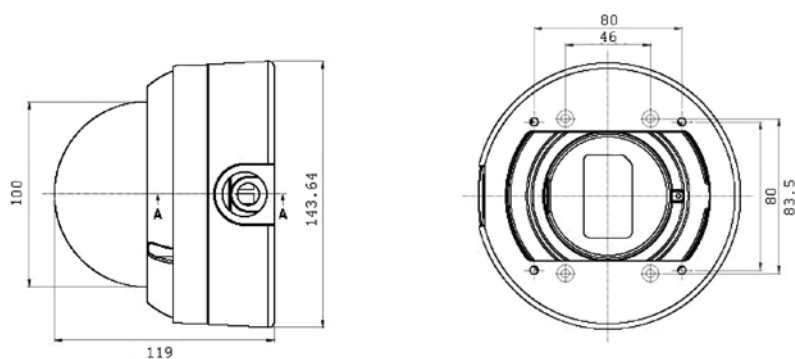
Easy Setup and Installation

The STC-3580 ULTIMATE is set up via on-screen menu system, accessible by use of special navigation keys located on the side of the camera module.

The camera allows for horizontal or vertical mounting. No extra accessories are required for camera flush mounting, since the back part of the camera is used as flush mount adapter.

Vertical installation is possible without extra accessories (due to 3-axis camera mounting) as well as with optional STB-C513 mount. It can be required for outdoor installation to protect the dome from rain.

Dimensions



Unit: mm

Specifications

Model:	STC-3580/3 ULTIMATE
Camera Type:	Day/Night
Image Sensor:	1/3" Sony SuperHAD II (ICX639) CCD
Effective Pixels:	752(H) x 582(V)
Resolution:	Color: 580 TVL B/W: 700 TVL
Day/Night Switching:	Auto by internal luminance sensor or by activation of switching input
Minimum Scene Illumination:	0.15 Lux (color, F1.2/50IRE) 0.001 Lux (B/W, F1.2/50IRE) 0.00004 Lux (B/W, F1.2/50IRE, frame integration x256)
S/N Ratio:	52 dB (AGC OFF)
Gamma Correction:	0.45
Frame Integration Mode:	AUTO/Fixed/OFF (Selectable: x2~x256)
Electronic Shutter:	ON, OFF, 1/50, 1/120, 1/250, 1/500, 1/1000, 1/2000, 1/4000, 1/10000 s
Flickerless:	Electronic shutter speed: 1/120 s
Backlight Compensation:	OFF/ON
White Balance:	AWB / Manual / Indoor (45000 K – 85000 K) / Outdoor (18000 K – 105000 K)
High Light Compensation:	OFF/ON
Digital Noise Reduction:	OFF/ON (adjustable: 1~32)
Privacy Zone:	OFF/ON (up to 8 zones)
Mirror Modes:	OFF/ON (vertical / horizontal)
Contour Enhancement:	OFF/ON (adjustable level)
AGC:	Low / High / OFF
Auto Iris Control:	DC/Video drive
Lens:	Varifocal (2.8 mm ~11 mm) with Auto iris control and IR correction
Video Output:	Composite PAL video signal, 1.0Vp-p / 75 Ohms, Video: 0.7Vp-p / Synchronization: 0.3Vp-p / Color synchronization: 0.3Vp-p
Synchronization:	Internal/Line Lock
Camera Voltage:	12 VDC (stabilized)/24 VAC +/- 10%
Power Consumption:	Camera: max. 1.6 W Heater: max. 8 W Total power consumption: <10 W
Operating Temperature:	-10° to +50°C
Dust and Moisture Protection level:	IP66
Weight:	1.3 kg
Dimensions:	144 mm (D) x 119 mm (H)

Accessories

STB-C513	Wall bracket
-----------------	--------------