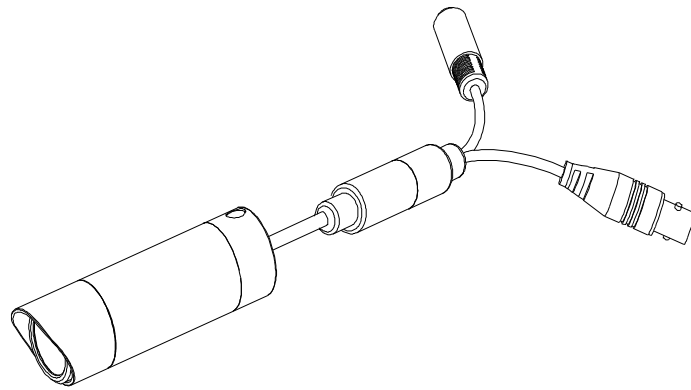




1/3" Bullet Spy Camera Smartec STC-2430/1



USER'S MANUAL

FEATURES

Digital Signal Processor: SONY HQ 1

Performance: 540 TV lines of resolution.

Long life and high reliability are achieved by the use of a CCD image device. This makes the camera 100 percent solid state. No longer is an image tube needed.

The Minimum illumination 0.5 LUX @ F=2.0

Ease of use in any application is achieved through the small size.

CAUTION

1. Never point the camera toward the sun

Do not expose the lens directly to the sun or to strong light as this may damage the pick-up device.

2. Handle this camera with care

Avoid any shock of the camera. Improper handling could damage the camera.

3. Requires a proper operating environment

This camera is designed for both indoor and out door use. The allowable temperature range for operation of this camera is between $-10^{\circ}\text{C} \sim +50^{\circ}\text{C}$ and the allowable humidity is 90% maximum.

4. Check the power source voltage

The power source voltage should be within the specified range. (Camera must meet the specification)

5. Damage Requiring Service

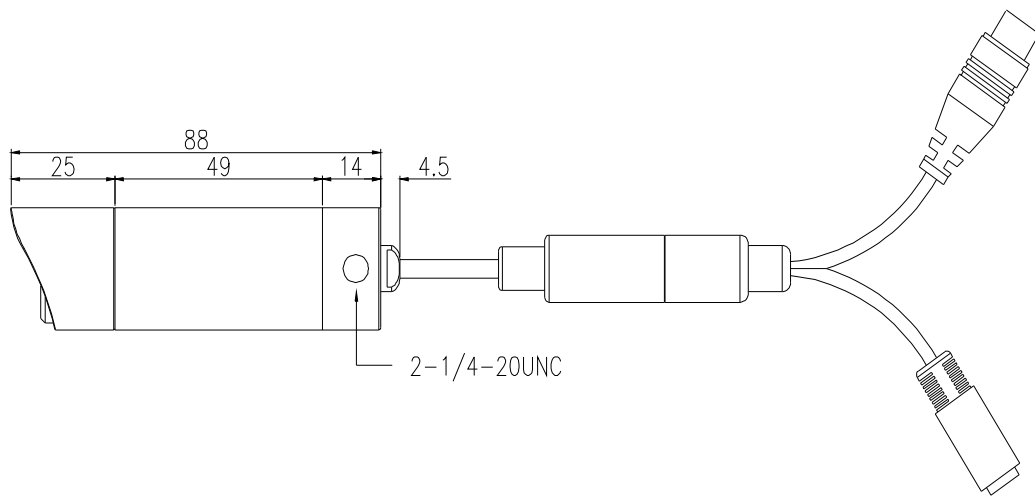
Unplug this video product from the wall outlet and refer servicing to qualified service personnel under the following conditions:

- a. When the power-supply cord or plug is damaged.
- b. If liquid has been spilled, or objects have fallen into the video product
- c. If the video product has been exposed to rain or water.
- d. If the cabinet has been damaged.
- e. When the video product exhibits a distinct change in performance, which indicates a need for service.

SPECIFICATION

Mode	NTSC	PAL
Digital Signal Processor	SONY HQ 1	
Pick Up Element	1/3" SONY Super HAD CCD	
Number Of Total Pixel	811(H) X 508 (V)	795(H) X 596(V)
Synchronization Modes	1.0Vp-p / 75Ω	
Resolution	540 TV Lines	
Video Output	Internal	
Scanning System	2:1 Interlace	
Gamma Correction	$\gamma=0.45$	
Minimum Illumination	0.5 LUX @ F2.0	
Signal To Noise Ratio	50dB	
Auto Gain Control	ON	
Back Light Compensation	ON	
A.E.S.	AES ON: 1/60s(1/50s)~1/100,000 sec.	
Board Lens	f=3.6mm / F2.0/ 72.5°	
Power Supply	12Vdc	
Power Consumption	1.2 W	
Operation Temperature	-10°C ~ +50°C	
Storage Temperature	-20°C ~ +60°C	
Storage Humidity	MAXIMUM: RH90%	
Dimensions	88.39 (L) x 26.4 (Ø) mm	
Weight	200g	

DIMENSIONS



NOMENCLATURE AND FUNCTION

① Camera mounting screw hole

Screw hole for fixing camera.

② Power input terminal

Connect the power supply of 12Vdc.

③ RCA terminal (Yellow)

This is a video output for connecting to a video monitor, etc (75Ω).

④ BNC video connector

This is a video connector to connect the RCA terminal to a BNC video monitor.

