

STC-2430

Bullet Color Camera

- **Miniature cylinder casing**
- **1/3" Sony SuperHAD CCD**
- **High DSP HQ1 540 TVL resolution**
- **Built-in 3.6 mm lens**
- **0.5 Lux/F2.0 minimum scene illumination**
- **12 VDC input voltage**
- **Swivel bracket supplied**
- **IP67**



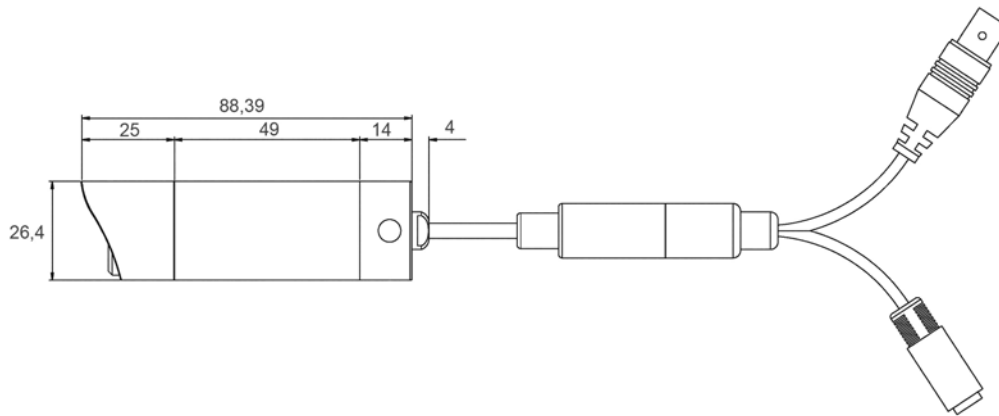
The STC-2430 camera is ideal for indoor applications, where compact size is essential. It is delivered in silver-colored (metal) bullet type miniature casing and equipped with 3.6 mm fixed focal lens. At the rear of the casing, there is a wire lead with two connectors (BNC and power jack). To minimize flare, the camera is equipped with mini sunshield. The casing of the camera is IP67 rated, which allows the STC-2430 to be installed in premises with high humidity levels. The supplied swivel bracket allows both wall and ceiling mounting of the camera.

DSP HQ1 – High resolution

Due to use of DSP HQ1 digital signal processing algorithm, the camera provides extremely high image detail, as well as superior color rendering, with 540 TVL of horizontal resolution.

CAMERAS

Dimensions



Unit: mm

Specifications

Model:	STC-2430/1
Camera Type:	Color
Image Sensor:	1/3" Sony SuperHAD CCD
Picture Elements:	795 (H) x 596 (V)
Lens:	3.6 mm, F2.0, 72.5° viewing angle
Resolution:	540 TVL
Video Output:	BNC, S-Video, UTP connectors
Minimum scene illumination:	0.5 Lux/F2/0
Digital Signal Processing:	DSP HQ1
S/N Ratio:	50 dB (AGC OFF)
Gamma Compensation:	0.45
IP rating:	IP67
Electronic Shutter:	Auto/Off, 1/50–1/100000 sec
Backlight Compensation:	On
AGC:	On
Synchronization System:	Internal
Input Voltage:	12 VDC
Power Consumption:	1.2 W
Operating Temperature:	-10° to 50°C, < 96%, noncondensing
Dimensions:	26.4 mm (D) x 88.39 mm (L)
Weight:	200g