

STC-2008

Color PIXIM® WDR Camera

- 1/3" WDR PIXIM® image sensor
- Wide dynamic range (maximum 120 dB)
- High resolution 520 TVL
- OSD menu
- DC/Video Drive auto iris control
- Backlight compensation
- Auto white balance
- Compact casing
- Made in Japan



PIXIM® wide dynamic range

The camera uses WDR image sensor utilizing PIXIM technology. Signal from each pixel of the image sensor is captured and converted into a digital value independently, providing considerable enhancement of the camera's dynamic range.

Thanks to multisampling and digital video signal processing the camera provides complete compensation of image degradation caused by direct sunlight, change of lighting conditions or backlight, as well as color distortion in faint or extremely bright light.

Unlike previous versions of PIXIM sensors, the ORCA-D2500 which is utilized in the STC-2008, along with wide dynamic range also provides high signal to noise ratio (50 dB). This allows to use the camera not only in well-illuminated locations but also in average illumination environment.

Frame integration mode

The Slow Shutter feature serves to switch the camera into low shutter speed mode. This might be useful if you need to observe static objects in low-light environment (<1 Lux).

High quality surveillance in difficult lighting conditions
The STC-2008 cameras are designed for use in video surveillance systems on sites with uneven or changeable lighting. The cameras are recommended for installation in lobbies, at the entrances to underground parking, in casinos, to view people against a bright background, or under other difficult lighting conditions.

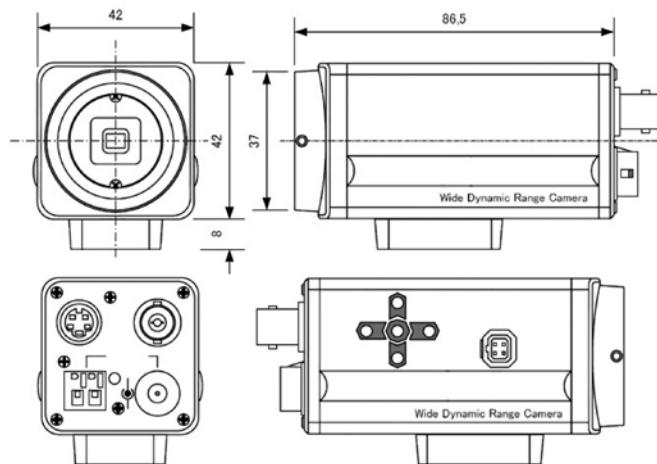
Compact design

Due to its compact casing [86.5 mm (L) x 42 mm (W) x 42 mm (H)], the STC-2008 will easily fit into any weather-proof enclosure, if outdoor installation is required.

Easy setup

The STC-2008 color camera can be set up through the OSD menu, which allows you to select the required camera settings: WDR mode, brightness setting, automatic gain control, backlight compensation, Slow Shutter, etc.

Dimensions



Unit: mm

Specifications

Model:	STC-2008/1
Camera Type:	Color
Video Output:	BNC, 1 Vp-p, 75 ohms/S-Video
Image Sensor:	1/3" WDR PIXIM® ORCA-D2500
Picture Elements:	720 (H) x 540 (V)
Resolution:	520 TVL
Minimum scene illumination:	1 Lux/F1.4; 0.03 Lux/F1.4 (frame integration mode)
Signal to Noise Ratio:	50 dB (AGC OFF)
Auto Iris Control:	DC / Video drive
Backlight Compensation:	ON/OFF
AGC:	ON/OFF
White Balance:	AWB/fixed modes
Lens Mount:	CS
Input Voltage:	12 VDC
Power Consumption:	2 W
Operating Temperature:	-10° to 50°C, < 96%, noncondensing
Dimensions:	86.5 mm (L) x 42 mm (W) x 42 mm (H)
Weight:	300 g

Accessories

STB-C01	Wall/ceiling camera bracket; aluminium; 175 mm
STB-C02	Wall/ceiling bracket; aluminium; feed-through; 170 mm



Picture taken by standard camera



Picture taken by STC-2008